

(2.00 mm) .0787"

EHT, EC2 SERIES

# SHROUDED IDC EJECTOR HEADER

## SPECIFICATIONS

For complete specifications and recommended PCB layouts see [www.samtec.com?EHT](http://www.samtec.com?EHT)

**Insulator Material:**  
Black Liquid Crystal Polymer  
**Terminal Material:**  
Phosphor Bronze  
**Plating:**  
Sn or Au over  
50 μm (1.27 μm) Ni  
**Operating Temp Range:**  
-55 °C to +125 °C  
**RoHS Compliant:**  
Yes

## PROCESSING

**Lead-Free Solderable:**  
Yes  
**SMT Lead Coplanarity:**  
(0.10 mm) .004" max

## RECOGNITIONS

For complete scope of recognitions see [www.samtec.com/quality](http://www.samtec.com/quality)



FILE NO. E111594

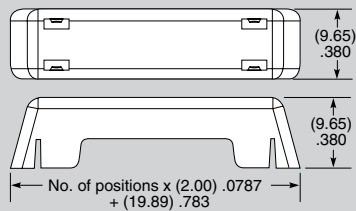
## ALSO AVAILABLE (MOQ Required)

- Other platings
- Contact Samtec.

Mates with:  
TCS D

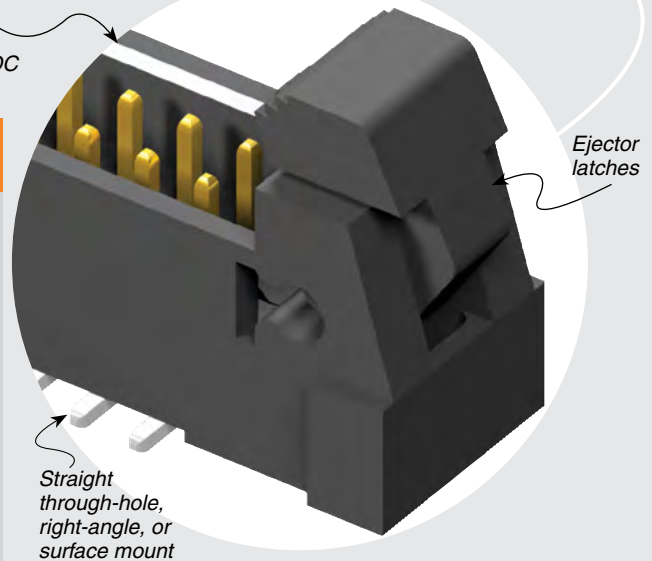
Ten standard sizes mate with common 2 mm IDC cable assemblies

### EJECTOR HEADER CAP (Locks TCS D cable to EHT header)



EC2 — NO. PINS PER ROW

05, 08, 10, 12, 13, 15, 17, 20, 22, 25



05, 08, 10, 12, 13, 15, 17, 20, 22, 25

—F = Gold flash on post, Matte Tin on tail  
—L = 10 μm (0.25 μm) Gold on post, Matte Tin on tail

Leave blank for Through-hole

—RA = Right-angle  
—SM = Surface Mount

—“XX” = Polarized Position

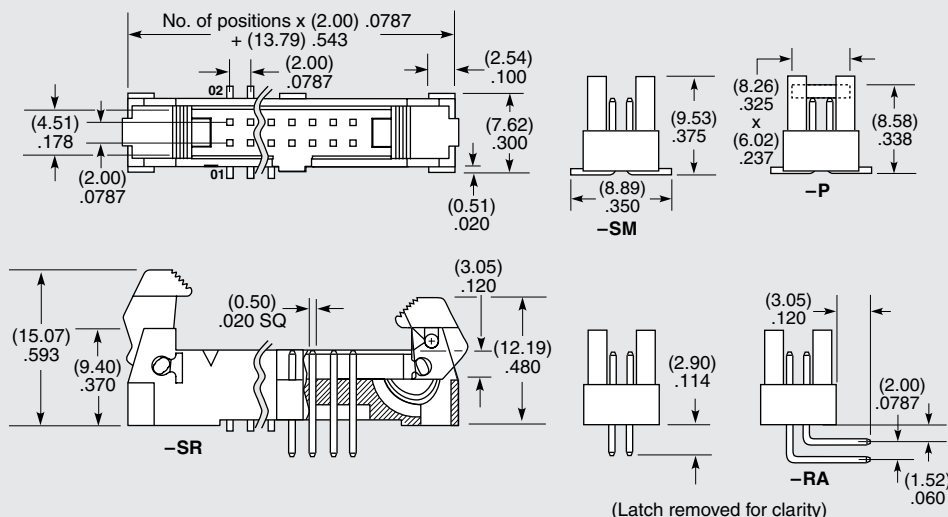
—SR = Strain Relief (Leave Blank for no strain relief)

—LC = Locking Clip (—SM only) (Manual placement required)

—K = (6.50 mm) .256" DIA Polyimide Film Pick & Place Pad (—SM only)

—P = Pick & Place Pad (—SM only)

—TR = Tape & Reel (—SM only)



**Note:** Some lengths, styles and options are non-standard, non-returnable.