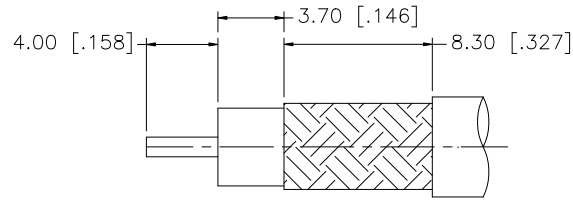
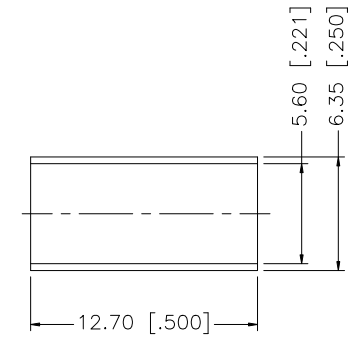
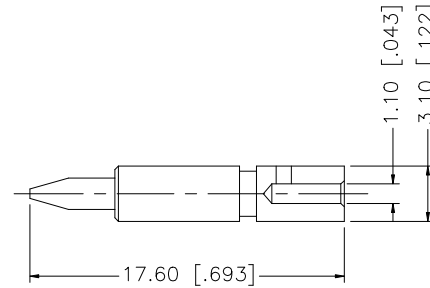
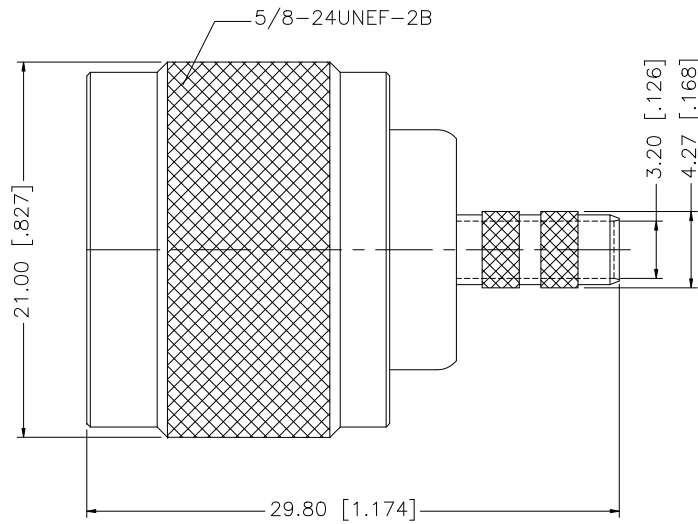


REV.	DATE	ECR NO.	DESCRIPTION
A	01/30/04	-	UPDATE DRAWING FORMAT
B	03/03/09	-	REVISE NOTE 2 - HEX CRIMP TO .100"



RECOMMENDED
CABLE STRIPPING DIM'S



NOTES:

1. CRIMPED FERRULE HEX CRIMP SIZE .213" [5.41]
2. CRIMPED CONTACT PIN HEX CRIMP SIZE .100" [2.54]

DESCRIPTION	MATERIAL	FINISH	QTY	DO NOT SCALE DRAWING	APPROVALS	DATE	PART DESCRIPTION			
					GRS	03/03/09	<h1 style="text-align: center; color: blue;">Amphenol Connex</h1> <p style="text-align: center;">N CRIMP PLUG (FOR RG-55/U, 142A/U, 223/U, 400/U)</p>			
8										
7							<p style="text-align: center;">PART NO. 172142</p>			
6										
5							<p style="text-align: center;">DWG. NO. 172142.DWG</p>			
4	FERRULE	COPPER	NEXCOTE	1						
3	CONTACT PIN	BRASS	GOLD	1			<p style="text-align: center;">REV. B SIZE A SCALE NA</p>			
2	INSULATOR	PTFE	NATURAL	1						
1	BODY	BRASS	NEXCOTE	1						
					C:/172/172142.DWG					

UNLESS OTHERWISE SPECIFIED DIMENSIONS ARE IN MILLIMETERS. DIMENSIONS IN [] ARE IN INCHES AND FOR CUSTOMER REFERENCE ONLY.

UNLESS OTHERWISE SPECIFIED TOLERANCES FOR MILLIMETERS ARE:
0.5 - 8mm ± 0.20mm
8 - 30mm ± 0.40mm
30 - 120mm ± 0.50mm

UNLESS OTHERWISE SPECIFIED TOLERANCES FOR INCHES ARE:
.020 - .315 ± 0.007"
.315 - 1.180 ± 0.015"
1.180 - 4.724 ± 0.020"