

RedyKit™ for the ADP2504 Buck-Boost Converter

FEATURES

- All-voltage option for evaluation
- Surface-mount **ADP2504** parts that can be easily soldered
- Additional parts for prototyping

ADP2504CPZ-REDYKIT CONTENTS

- 1 each ADP2504-2.8-EVALZ evaluation board V_{OUT} 2.8 V
- 1 each ADP2504-5.0-EVALZ evaluation board V_{OUT} 5.0 V
- 3 each ADP2504 voltage options in a labeled bag



Figure 1. ADP2504CPZ-REDYKIT

TYPICAL APPLICATION CIRCUIT

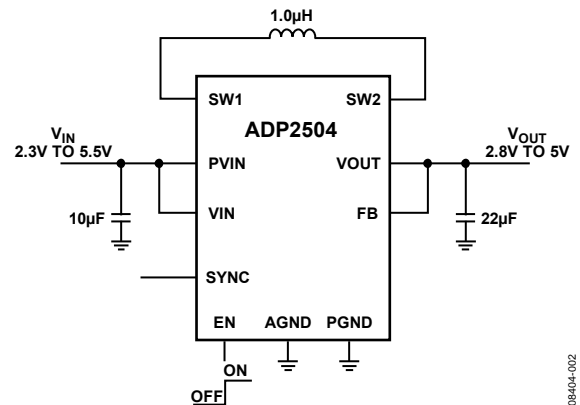


Figure 2.

GENERAL DESCRIPTION

The ADP2504CPZ-REDYKIT allows simplified prototyping and evaluation and is available for every standard fixed output voltage option in the ADP2504 product family. The kit allows the user to evaluate the voltage options with one easy to order kit.

All surface-mount ADP2504 parts come sorted and stored in the kit with the Analog Devices, Inc., part number and fixed output voltage clearly printed on each zip-top bag (see Figure 5).

The kit can be used in the engineering lab to evaluate required voltage options. If other voltage options must be evaluated, a different part from the kit can be easily soldered onto one of the evaluation boards supplied with the kit.

The ADP2504CPZ-REDYKIT is available with fixed 2.8 V and 5.0 V evaluation boards. The kit also contains additional parts for prototyping. The kit enclosure, which contains individually packaged parts and the two evaluation boards, is packaged in an ESD foam pad inside a treated cardboard box that measures 8.7" (L) × 7.9" (W) × 1.75" (H), that is, 22 cm (L) × 20 cm (W) × 4.5 cm (H).

The ADP2504 evaluation board data sheet, EVAL-ADP2503/ADP2504, can be found at www.analog.com.

RedyKit is a trademark of Analog Devices, Inc.

TABLE OF CONTENTS

Features	1	Revision History	2
ADP2504CPZ-REDYKIT Contents.....	1	Evaluation Board Schematic and Layout	3
Typical Application Circuit	1	RedyKit Bill of Materials	4
General Description	1		

REVISION HISTORY

2/11—Rev. A to Rev. B	
Changes to Figure 3.....	3
6/10—Rev. 0 to Rev. A	
Added RedyKit Trademark	Universal
Changes to Figure 2.....	1
8/09—Revision 0: Initial Version	

EVALUATION BOARD SCHEMATIC AND LAYOUT

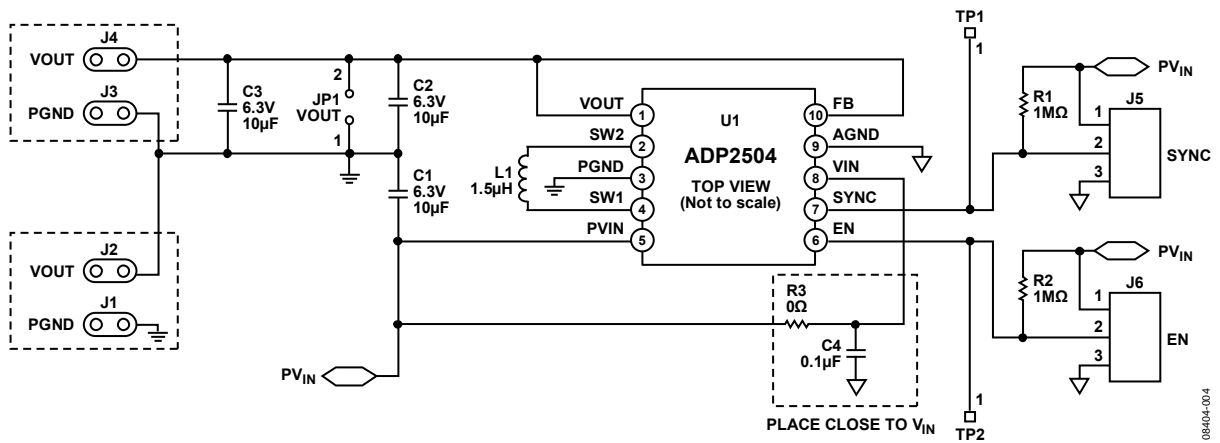


Figure 3. Evaluation Board Schematic

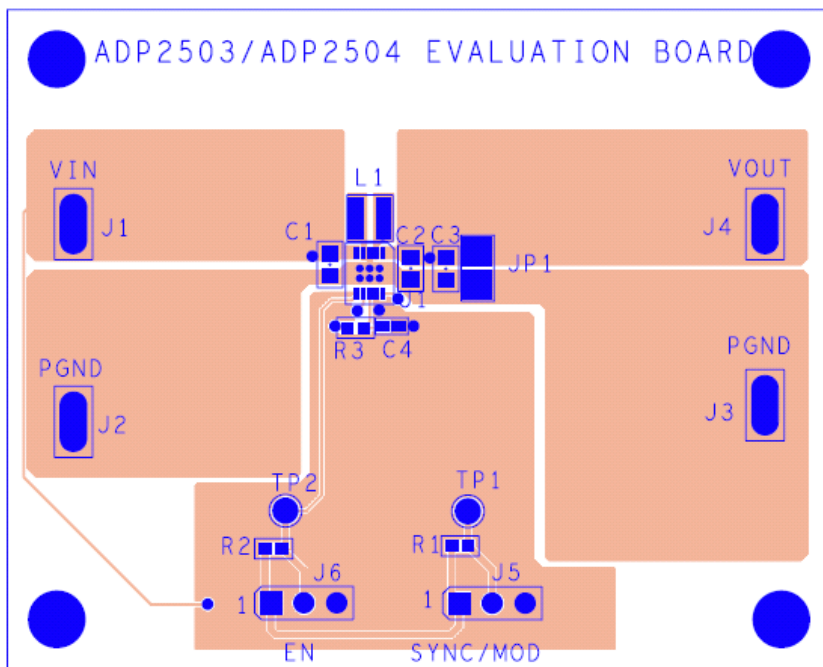


Figure 4. Evaluation Board Layout

REDYKIT BILL OF MATERIALS

Table 1.

Qty	Model	Voltage	Maximum Current	Description
1	ADP2504-2.8-EVALZ	V_{OUT} 2.8 V	N/A ¹	Evaluation board
1	ADP2504-5.0-EVALZ	V_{OUT} 5.0 V	N/A ¹	Evaluation board
3	ADP2504ACPZ-2.8-R7	2.8 V	1.0 A	10-lead lead frame chip scale package (LFCSP_WD)
3	ADP2504ACPZ-3.3-R7	3.3 V	1.0 A	10-lead lead frame chip scale package (LFCSP_WD)
3	ADP2504ACPZ-3.5-R7	3.5 V	1.0 A	10-lead lead frame chip scale package (LFCSP_WD)
3	ADP2504ACPZ-4.2-R7	4.2 V	1.0 A	10-lead lead frame chip scale package (LFCSP_WD)
3	ADP2504ACPZ-4.5-R7	4.5 V	1.0 A	10-lead lead frame chip scale package (LFCSP_WD)
3	ADP2504ACPZ-5.0-R7	5.0 V	1.0 A	10-lead lead frame chip scale package (LFCSP_WD)

¹ N/A is not applicable.



Figure 5. ADP2504CPZ-REDYKIT Contents



ESD Caution

ESD (electrostatic discharge) sensitive device. Charged devices and circuit boards can discharge without detection. Although this product features patented or proprietary protection circuitry, damage may occur on devices subjected to high energy ESD. Therefore, proper ESD precautions should be taken to avoid performance degradation or loss of functionality.

Legal Terms and Conditions

By using the evaluation board discussed herein (together with any tools, components documentation or support materials, the "Evaluation Board"), you are agreeing to be bound by the terms and conditions set forth below ("Agreement") unless you have purchased the Evaluation Board, in which case the Analog Devices Standard Terms and Conditions of Sale shall govern. Do not use the Evaluation Board until you have read and agreed to the Agreement. Your use of the Evaluation Board shall signify your acceptance of the Agreement. This Agreement is made by and between you ("Customer") and Analog Devices, Inc. ("ADI"), with its principal place of business at One Technology Way, Norwood, MA 02062, USA. Subject to the terms and conditions of the Agreement, ADI hereby grants to Customer a free, limited, personal, temporary, non-exclusive, non-sublicensable, non-transferable license to use the Evaluation Board FOR EVALUATION PURPOSES ONLY. Customer understands and agrees that the Evaluation Board is provided for the sole and exclusive purpose referenced above, and agrees not to use the Evaluation Board for any other purpose. Furthermore, the license granted is expressly made subject to the following additional limitations: Customer shall not (i) rent, lease, display, sell, transfer, assign, sublicense, or distribute the Evaluation Board; and (ii) permit any Third Party to access the Evaluation Board. As used herein, the term "Third Party" includes any entity other than ADI, Customer, their employees, affiliates and in-house consultants. The Evaluation Board is NOT sold to Customer; all rights not expressly granted herein, including ownership of the Evaluation Board, are reserved by ADI. CONFIDENTIALITY. This Agreement and the Evaluation Board shall all be considered the confidential and proprietary information of ADI. Customer may not disclose or transfer any portion of the Evaluation Board to any other party for any reason. Upon discontinuation of use of the Evaluation Board or termination of this Agreement, Customer agrees to promptly return the Evaluation Board to ADI. ADDITIONAL RESTRICTIONS. Customer may not disassemble, decompile or reverse engineer chips on the Evaluation Board. Customer shall inform ADI of any occurred damages or any modifications or alterations it makes to the Evaluation Board, including but not limited to soldering or any other activity that affects the material content of the Evaluation Board. Modifications to the Evaluation Board must comply with applicable law, including but not limited to the RoHS Directive. TERMINATION. ADI may terminate this Agreement at any time upon giving written notice to Customer. Customer agrees to return to ADI the Evaluation Board at that time. LIMITATION OF LIABILITY. THE EVALUATION BOARD PROVIDED HEREUNDER IS PROVIDED "AS IS" AND ADI MAKES NO WARRANTIES OR REPRESENTATIONS OF ANY KIND WITH RESPECT TO IT. ADI SPECIFICALLY DISCLAIMS ANY REPRESENTATIONS, ENDORSEMENTS, GUARANTEES, OR WARRANTIES, EXPRESS OR IMPLIED, RELATED TO THE EVALUATION BOARD INCLUDING, BUT NOT LIMITED TO, THE IMPLIED WARRANTY OF MERCHANTABILITY, TITLE, FITNESS FOR A PARTICULAR PURPOSE OR NON-INFRINGEMENT OF INTELLECTUAL PROPERTY RIGHTS. IN NO EVENT WILL ADI AND ITS LICENSORS BE LIABLE FOR ANY INCIDENTAL, SPECIAL, INDIRECT, OR CONSEQUENTIAL DAMAGES RESULTING FROM CUSTOMER'S POSSESSION OR USE OF THE EVALUATION BOARD, INCLUDING BUT NOT LIMITED TO LOST PROFITS, DELAY COSTS, LABOR COSTS OR LOSS OF GOODWILL. ADI'S TOTAL LIABILITY FROM ANY AND ALL CAUSES SHALL BE LIMITED TO THE AMOUNT OF ONE HUNDRED US DOLLARS (\$100.00). EXPORT. Customer agrees that it will not directly or indirectly export the Evaluation Board to another country, and that it will comply with all applicable United States federal laws and regulations relating to exports. GOVERNING LAW. This Agreement shall be governed by and construed in accordance with the substantive laws of the Commonwealth of Massachusetts (excluding conflict of law rules). Any legal action regarding this Agreement will be heard in the state or federal courts having jurisdiction in Suffolk County, Massachusetts, and Customer hereby submits to the personal jurisdiction and venue of such courts. The United Nations Convention on Contracts for the International Sale of Goods shall not apply to this Agreement and is expressly disclaimed.