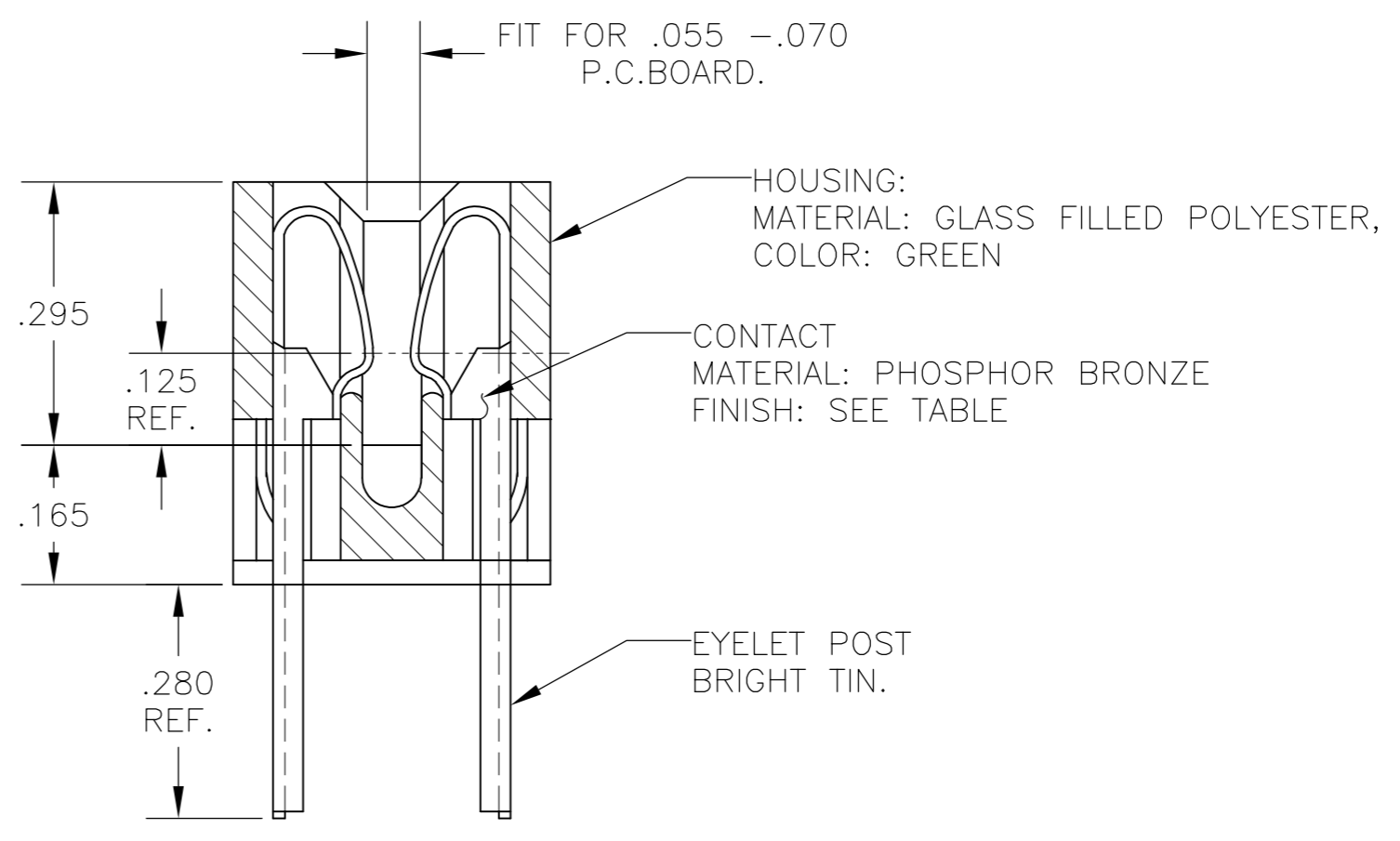
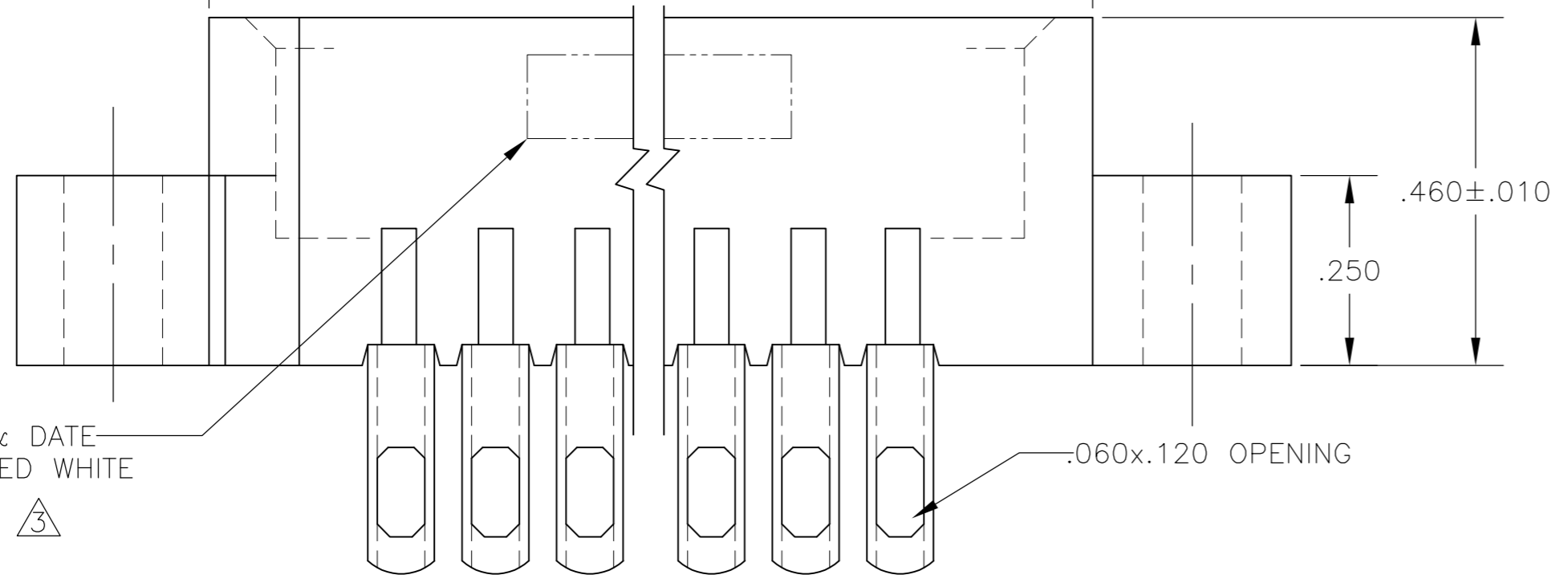
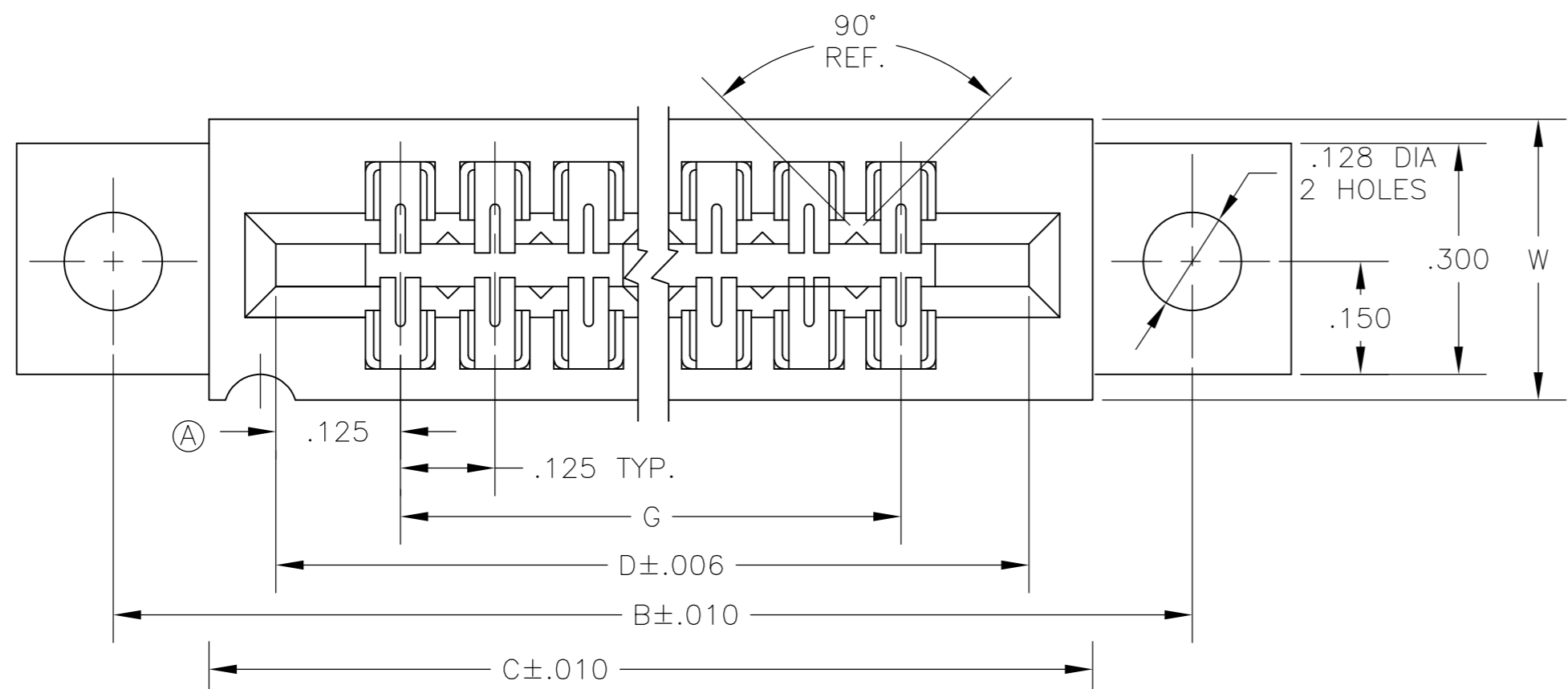
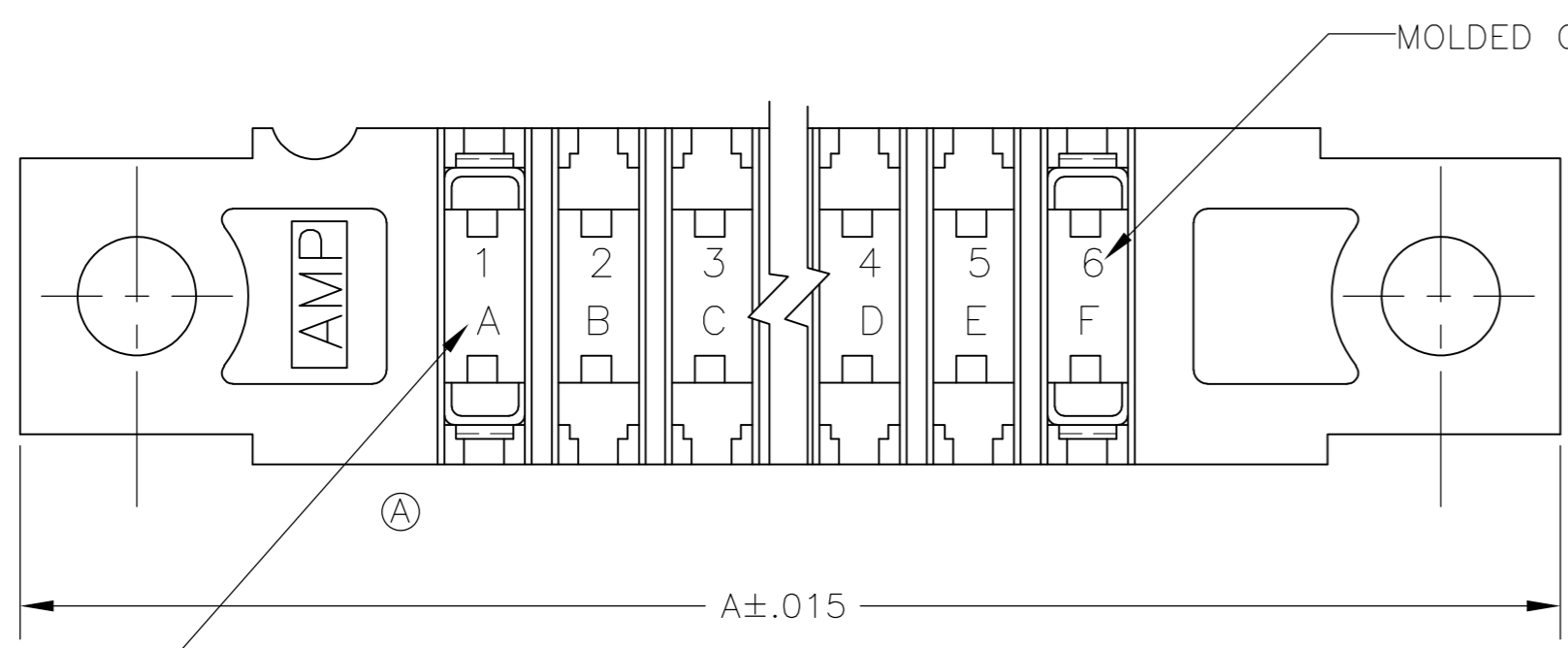


THIS DRAWING IS UNPUBLISHED. RELEASED FOR PUBLICATION
 © COPYRIGHT BY TYCO ELECTRONICS CORPORATION. ALL RIGHTS RESERVED.

LOC	DIST	REVISIONS			
P	LTR	DESCRIPTION	DATE	DWN	APVD
AD	00	M	ECO-07-012860	24JUL2007	RB MM
		M1	REVISED PER ECO-10-002990	19DEC09	KK HMR



"AMP" PART NO & DATE CODE, INK STAMPED WHITE OR HOT STAMP (NO WHITE TAPE) IN THIS AREA. (SIDE OPTIONAL)



MOLDED CHARACTERS (UPPER & LOWER CASE LETTERS OMITTING LETTERS G,I,O & Q).

1. SLEEVING MAY BE REQUIRED ON ALTERNATE CONTACTS,

THIS DRAWING IS A CONTROLLED DOCUMENT.		DWN RUMBLE 04APR75	Tyco Electronics Corporation Harrisburg, Pa 17105-3608	
DIMENSIONS: INCHES		CHK RUMBLE 04APR75	NAME R. SHOUMER	
TOLERANCES UNLESS OTHERWISE SPECIFIED:		APVD R. SHOUMER 04APR75	PRODUCT SPEC	
0 PLC ± -		APPLICATION SPEC		
1 PLC ± -		WEIGHT -		
2 PLC ± -		SIZE A2		
3 PLC ± -		CAGE CODE 00779		
4 PLC ± -		DRAWING NO C=530664		
ANGLES ± -		RESTRICTED TO -		
FINISH -		SCALE 5:1 SHEET 1 OF 2 REV M1		
MATERIAL -		CUSTOMER DRAWING		

530664

THIS DRAWING IS UNPUBLISHED. RELEASED FOR PUBLICATION
 © COPYRIGHT BY TYCO ELECTRONICS CORPORATION. ALL RIGHTS RESERVED.

LOC	DIST	REVISIONS					
AD	00	P	LTR	DESCRIPTION	DATE	DWN	APVD
		-		SEE SHEET 1	-	-	-

NOTES:

- 1 .000015 MIN GOLD OVER.00005 MIN. NICKEL IN CONTACT AREA.
- 2 .000030 MIN GOLD OVER.00005 MIN. NICKEL IN CONTACT AREA.
- 3 ALL PARTS ASSEMBLED IN MEXICO MUST BE STAMPED "ASSY IN MEXICO"
THE WORD "MEXICO" CAN BE SUBSTITUTED ONLY WHERE PART SIZE
PROHIBITS STAMPING "ASSY IN MEXICO" INK ISSTAMP COLOR WHITE OR HOT
STAMP (NO WHITE TAPE) 115-9009, APPROX, WHERE SHOWN, SIDE OPTIONAL,
- 4 MATTE TIN PLATED CONTACT TAILS.
- 5 OBSOLETE PARTS: OBSOLETE CIS STREAMLINING PER D.RENAUD/D.SINISI

4	5	OBSOLETE	8-530664-2	6.125	.437	6.375	6.535	6.795	7.055	50	-
4	5	OBSOLETE	8-530664-0	4.875	.437	5.125	5.285	5.545	5.805	40	-
4	5	OBSOLETE	7-530664-6	3.375	.437	3.625	3.785	4.045	4.305	28	-
4	5	OBSOLETE	7-530664-5	2.625	.437	2.875	3.035	3.295	3.555	22	-
	4		7-530664-3	1.750	.437	2.000	2.160	2.420	2.680	15	-
		OBSOLETE	3-530664-2	6.125	.437	6.375	6.535	6.795	7.055	50	1-530664-2
		OBSOLETE	3-530664-1	5.250	.437	5.500	5.660	5.920	6.180	43	1-530664-1
		OBSOLETE	3-530664-0	4.875	.437	5.125	5.285	5.545	5.805	40	1-530664-0
		OBSOLETE	2-530664-9	4.375	.370	4.625	4.785	5.045	5.305	36	-530664-9
		OBSOLETE	2-530664-8	3.750	↑	4.000	4.160	4.420	4.680	31	-530664-8
		OBSOLETE	2-530664-7	3.625		3.875	4.035	4.295	4.555	30	-530664-7
	5	OBSOLETE	2-530664-6	3.375		3.625	3.785	4.045	4.305	28	-530664-6
		OBSOLETE	2-530664-5	2.625		2.875	3.035	3.295	3.555	22	-530664-5
		OBSOLETE	2-530664-4	2.125		2.375	2.535	2.795	3.055	18	-530664-4
		OBSOLETE	2-530664-3	1.750		2.000	2.160	2.420	2.680	15	-530664-3
		OBSOLETE	2-530664-2	1.125	↓	1.375	1.535	1.795	2.055	10	-530664-2
		OBSOLETE	2-530664-1	6.25	.370	8.75	1.035	1.295	1.555	6	-530664-1

PART NO.	2	G	W	D	C	B	A	NO.POS	PART NO.	1
----------	---	---	---	---	---	---	---	--------	----------	---

THIS DRAWING IS A CONTROLLED DOCUMENT.		DWN	04APR75	Tyco Electronics Corporation	
RUMBLE		CHK	04APR75	Harrisburg, Pa 17105-3608	
DIMENSIONS: INCHES		TOLERANCES UNLESS OTHERWISE SPECIFIED:		Tyco Electronics	
		0 PLC	± -	NAME	
		1 PLC	± -	HOUSING ASS'Y LOW PROFILE	
		2 PLC	± -	EDGE CONNECTOR, WITHSOLDER	
		3 PLC	± -	EYELET .125 CENTERS.	
		4 PLC	± -	SIZE	CAGE CODE
		ANGLES	± -	A2	00779
MATERIAL		FINISH	-	DRAWING NO	RESTRICTED TO
				C=530664	-
				WEIGHT	SCALE
				-	1:1
				CUSTOMER DRAWING	SHEET 2 OF 2
					REV M1

530664

B

A